

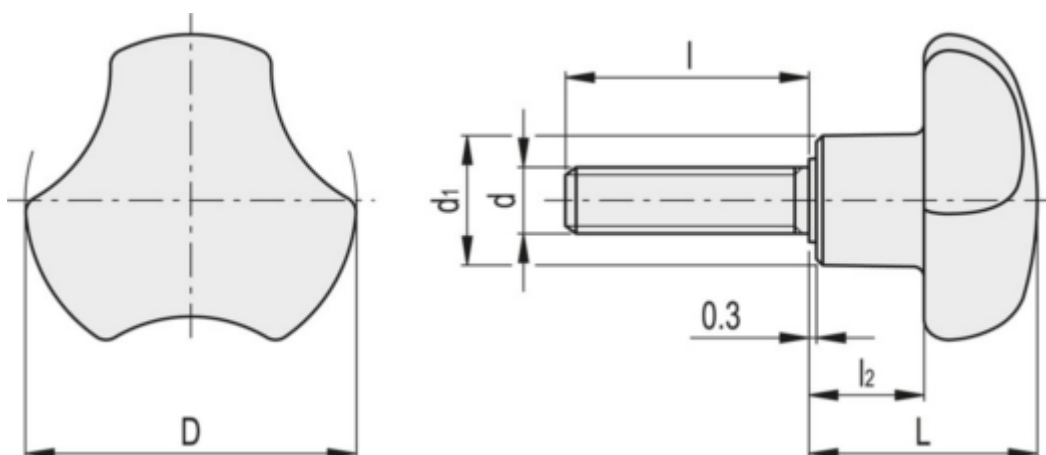
Data Sheet



Article number: 2302151754

Description: Lobe knob
VTT.25-SST-p-M5x10 CLEAN

Measures



| | |
|---------------|------|
| D | = 25 |
| d1 | = 12 |
| Dg | = - |
| l2 | = 10 |
| L | = 20 |
| L1 | = 10 |
| Weight in (g) | = 8 |